

STOR-MORE® LOSS PREVENTION for SHELVING

QUOTATION
WORKSHEET

For a custom quote print out, complete and FAX to 708-325-0450

Name _____ City _____ State _____ Zip _____
 Company _____ Phone _____ Ext _____
 Address _____ Fax _____
 _____ Email _____



Design a custom Stor-More® Loss Prevention for Shelving by completing information below.

- Ⓐ Desired backing height _____
- Ⓑ Overall height of rack uprights _____
- Ⓒ Overall depth of rack _____
- Ⓓ Upright width _____
- Ⓔ Beam width between rack uprights _____
- Ⓕ Mounting height above floor _____
- Ⓖ Overall number of bays _____

Door (check one):

- Single slide door (standard)
- Bi-parting slide door with padlock hasp (standard)
- Hinged door with built-in cylinder lock (optional upgrade)

Finish:

- Galvanized (standard)
- Powder Coated (optional upgrade)

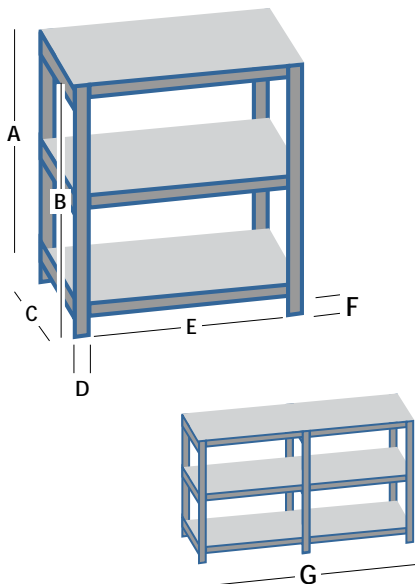
Do you need installation? Yes No

Do you need the name of a local dealer? Yes No

Freight quote?

Yes No Zip code _____

Additional information



FOR ASSISTANCE CALL:
 1-800-622-2214
 8AM-5:00 PM CST



5858 West 73rd Street
 Bedford Park, IL 60638
 e-mail: sales@foldingguard.com
 www.foldingguard.com