

The following installation instructions should be used as a guide for installing Folding Guard Wov-N-Wire® Partitions. Good common sense and appropriate safety precautions must be used during installations. The product may be unstable during installation; accordingly - temporary bracing should be implemented until all hardware is tightened and the product is properly anchored to the floor. Permanent field bracing (Not supplied) may be installed at installer's/owner's discretion. Installation problems arising from job site conditions should be referred to a professional installer. Refer product assembly questions to Folding Guard®.

Self-Tapping Screw Installation Recommendations:

When installing self-tapping screws use a standard variable speed screw gun equipped with an adjustable clutch or depth locating nosepiece. Take care not to over tighten or strip, set the drill accordingly. **DO NOT USE IMPACT TYPE GUN WHEN INSTALLING SELF-TAPPING SCREWS.** Securely clamp component parts in place before attaching with self-tapping screws.

Tools Required:

- 5/16 Socket Drill Bit Attachment
- 5/8 Masonry Bit
- 7/16 Masonry Bit
- 5/16 Wrench
- 7/16 Wrench
- 9/16 Wrench
- Hammer
- Electric Drill (Var. Speed)

Tools Recommended:

- Ladder
- Carpenters Level
- Chalk Line
- Heavy Duty Wire cutters
- Floor Anchors (NOT SUPPLIED). Recommended ½" -20 X 3¾" Anchor.

Tools Recommended:

- Shims (NOT SUPPLIED)
- Drill Bits (Various)
- Flat Screw Driver
- Tape Measure
- Level
- Rubber Mallet

Prior to Installation:

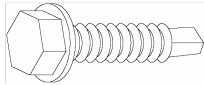
- Prior to beginning installation please make sure that you have all the parts required for the assembly
- Make sure that the installation area is clear of all obstructions.
- Read thoroughly all the instructions pertinent to your installation.

Installer Tips:

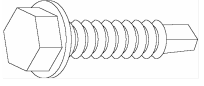
- Installation is best completed with the help of one or two people.
- Prior to beginning, please read through all instructions pertinent to your installation. (Doors, panels, etc...)
- Panels are to be installed horizontally between posts, parallel with the ground.
- Prior to beginning, if at all possible please lay out the parts where they are to be installed.
- Make sure all posts are installed perpendicular to the floor; shims (NOT SUPPLIED) may be required.
- Begin installation at a wall (If your plan calls for a wall connection), corner or an end of a post.
- Assembly hardware will be installed on the inside of most systems.
- Installer should eliminate any bolts or hardware protruding into aisle ways or around door openings.

Hardware:

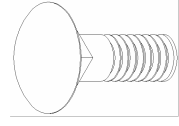
1/4"-14 X 1" TEK Self
Tapping Screw (F1)



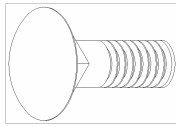
1/4"-14 X 1 1/2" TEK Self
Tapping Screw (F6)
(Optional)



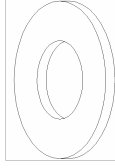
1/4"-20 X 1 1/4" Carriage Bolt
(F11)



1/4"-20 X 1"
Carriage Bolt (F2)



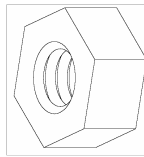
3/16" X 3/8" Washer (F7)
(Optional)



1/4"-20 X 1 3/4" Stop Bolt
(Slide Door Option)
(F12)



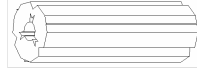
1/4"-20 Hex Nuts (F3)



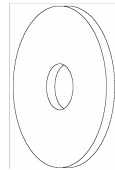
3/8"-16 X 3.75 Concrete
Anchor (Slide Door
Option) (F8)



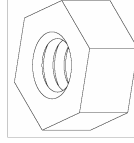
Plastic Anchor (F13)



1/4" X 1" Washer (F4)



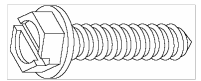
3/8"-16 Nut (Slide Door
Option) (F9)



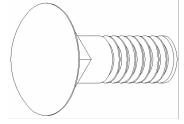
1/2"-20 X 3.75 Concrete
Anchor (Post Attachment)
(F14)



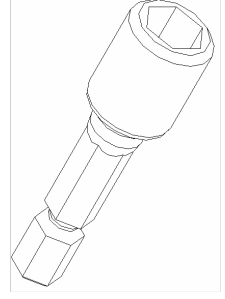
1/4"-14 X 1 1/4" Slotted
Head Screw (F5)



1/4"-20 X 3/4" Carriage
Bolt (F10)

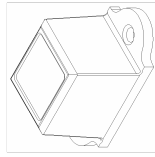


5/16" Socket
(Door Option)
(Supplied by
Folding Guard)

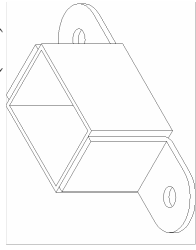


Other Items included:

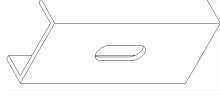
Floor Shoe (F1)



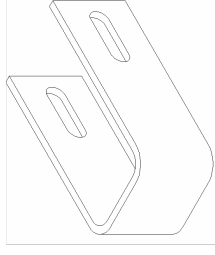
T-Joint Shoe (F2)



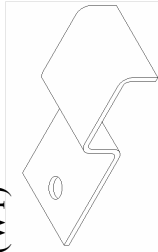
Slide Door Mounting
Clip (B2) **



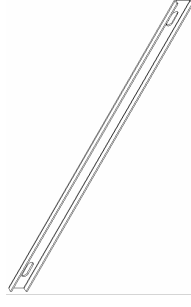
T-Joint Bracket (B4)



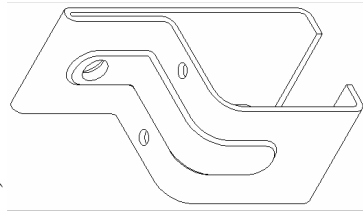
Wall Kit Clamp
(W1)



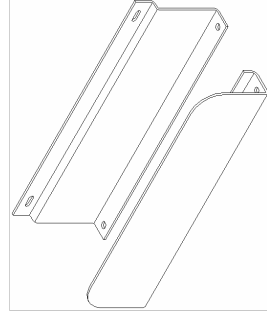
Bottom Guide Attachment
(B5) **



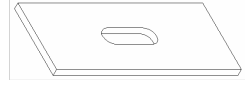
Slide Door Bracket
(B1) **



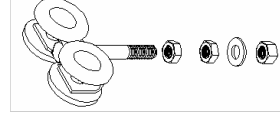
Slide Door Bottom Guide
(B3) **



Mesh Clip (M1) **



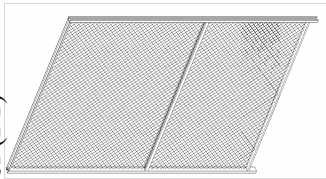
Slide Door Trolley
Assembly (T1) **



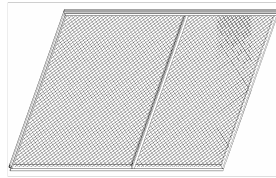
** Supplied for Slide Door Assembly Only
*** Supplied for Ceiling Kit Assembly Only

Wov-N-Wire™ Installation Instructions

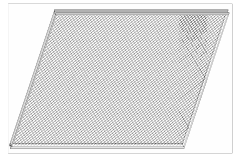
Wov-N-Wire Floor Panel (P1)



Wov-N-Wire Spacer Panel (P2)



Wov-N-Wire Ceiling Panel (P3)



Line Post (LP)



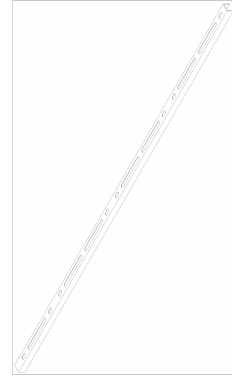
Stiffener Post (SP)



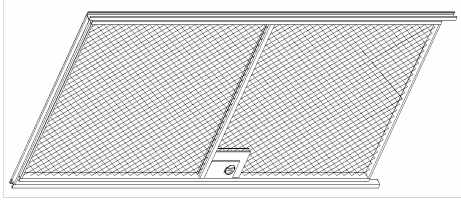
Corner Post (CP)



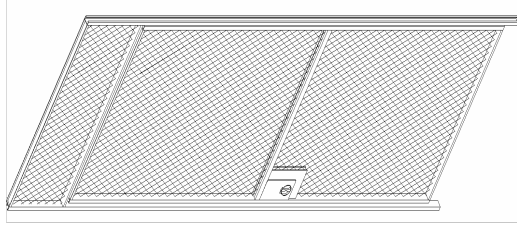
Capping Channel (Optional) (CC)
Var. Sizes



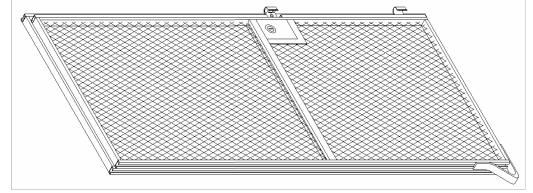
Wov-N-Wire Hinge Door (D1)



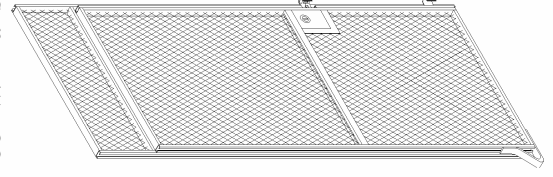
Wov-N-Wire Slide Door w/ Transom (D3)



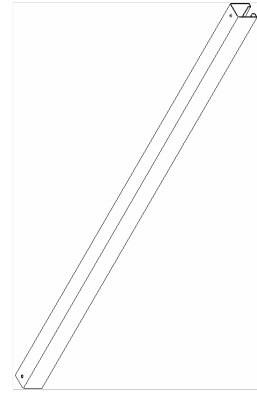
Wov-N-Wire Slide Door (D2)



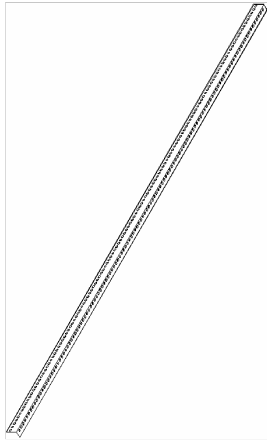
Wov-N-Wire Slide Door w/ Transom (D5) **



Slide Door Track (D5) **



Ceiling Angle Kit (C1) ***



** Supplied for Slide Door Assembly Only
*** Supplied for Ceiling Kit Assembly Only

Step 1: Layout.

- Prior to beginning study your provided plan drawings, to make sure all the required panels are there.
- If possible mark all post locations and door locations.

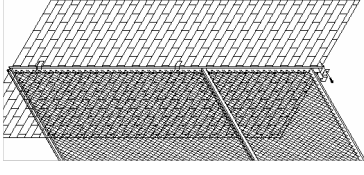


Fig. 2A-1

Step 2: Getting Started

Step 2A: Starting from a Wall.

- Place a Floor Panel (P1) Flush with the wall as shown in Figure (2A-1).
- Hook the Wall Kit Clamp (W1) around the side post and using the provided Plastic Anchor (F13) and Slotted Head Screw (F5) with a Washer (F4) secure it to the wall. Refer to Figure (2A-2) for reference.
- Repeat at three locations as shown in Figure (2A-1).

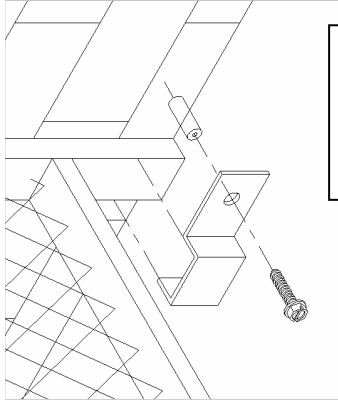


Fig. 2A-2

Step 2B: Starting from a Line Post (LP).

- Place the Line Post (LP) in its intended location (Refer to your plan drawing for post locations).
- Secure Line Post (LP) to the floor with 1/2" -20 X 3.75 Concrete Anchor (F14).
- Place the Floor Panel inside the Line Post (LP) and line it up with the middle hole set on the Line Post (LP)
 - Secure it to the Line Post (LP) Using provided Bolt (F11), Washer (F4) and Nut (F3) as shown in Figure (2B-1).

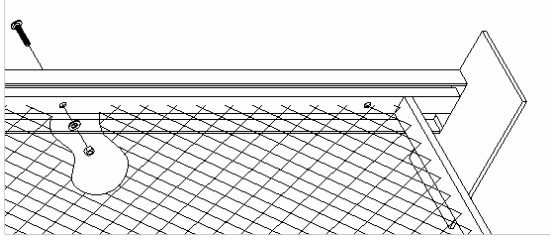


Fig. 2B-1

Step 2C: Starting From a Corner Post (CP).

- Place the Corner Post (CP) in its intended location (Refer to your plan drawing from post locations)
- Secure the Corner Post (CP) to the floor.
- Attach the Floor Panel (P1) to the Corner Post (CP)
 - Secure it to the Corner Post (CP) Using provided Bolt (F11), Washer (F4) and Nut (F3).

Step 4: Attaching Floor Panels (P1) Together.

- Place the Floor Shoe (F1) at the approximate location where the two panels should meet.
- Set one end of the Floor Panel (P1) inside the Floor Shoe (F1) as shown in Figure (4-1)
- Place the other Floor Panel (P1) flush against the already installed Floor Panel (P1) and set it inside the Floor Shoe (F1). Refer to Figure (4-1) for reference.
- Secure together with provided Bolt (F11), Washer (F4) and Nut (F3) as shown in Figure (4-1).

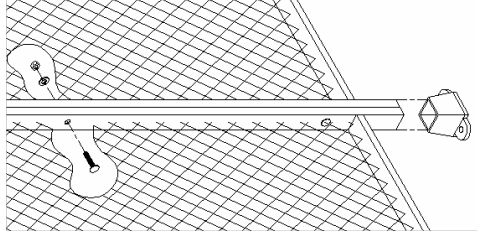


Fig. 4-1

Step 5: Attaching a Spacer Panel (P3).

- Set the Spacer Panel On top of Existing Floor Panel (P1) as shown in Figure (5-1).
- Secure together with provided Bolt (F11), Washer (F4) and Nut (F3) as shown in Figure (5-2).

Step 6: Attaching a Stiffener Post (SP).

- Place the Stiffener Post (SP) next to existing Floor Panel (P1) and Spacer Panel (P2) assembly as shown in Figure (6-1).
- Place a Floor Panel (P1) on the other Side of Stiffener Post (SP) as shown in Figure (6-1).
 - Secure together with provided Bolt (F11), Washer (F4) and Nut (F3) as shown in Figure (6-2).

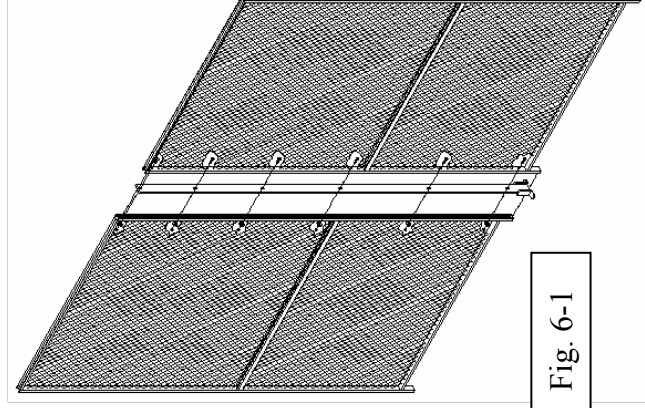


Fig. 6-1

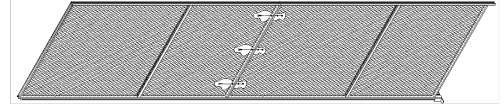


Fig. 5-1

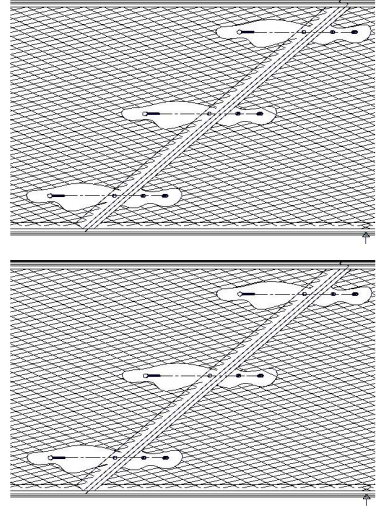


Fig. 5-2

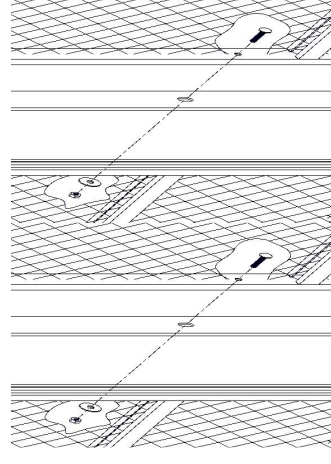
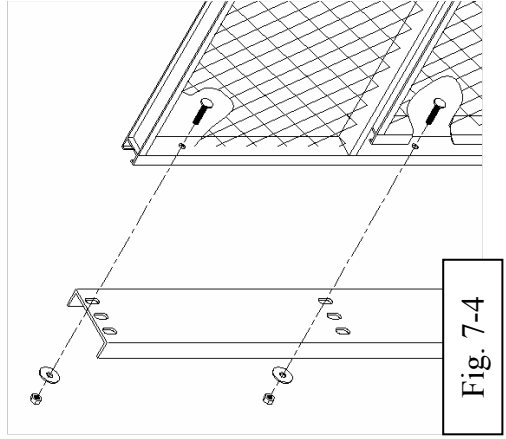
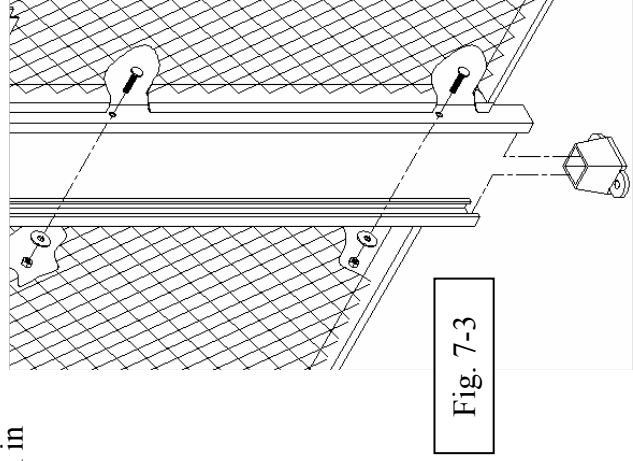
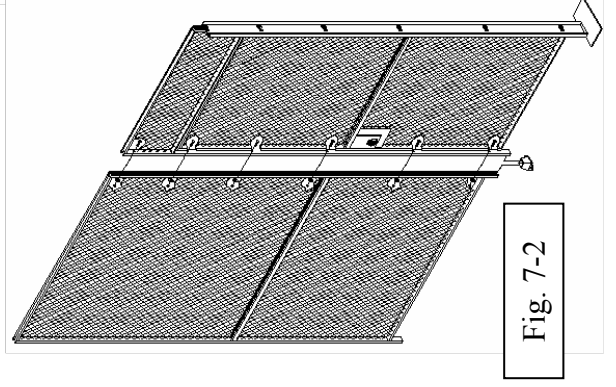
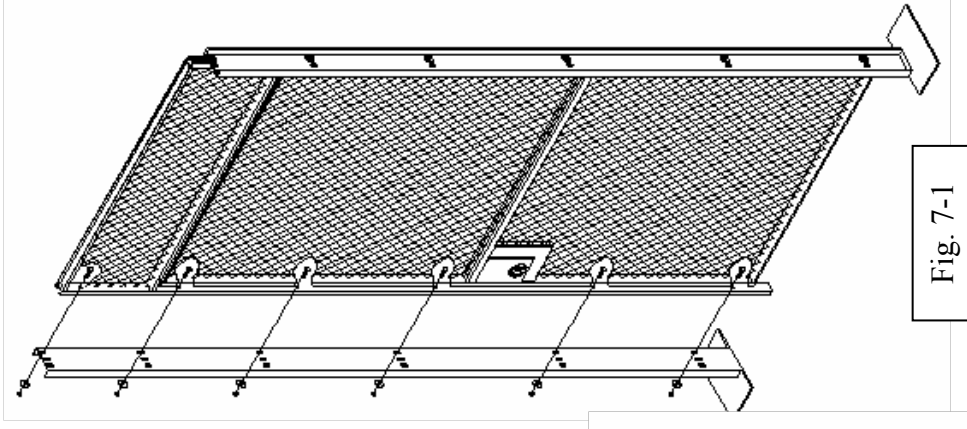


Fig. 6-2

Step 7: Hinge Door Assembly.

- Hinge Doors (D1) are shipped set up.
- If attaching Hinge Door (D1) to Line Post (LP) please consult your Layout Drawing for Post orientation.
 - Make sure that the post is facing Flat Side towards the Hinge Door (D1) as shown in Figure (7-1).
 - Secure together with provided Bolt (F11), Washer (F4) and Nut (F3) as shown in Figure (7-4).
- If attaching Hinge Door (D1) to a previously installed Floor Panel (P1)
 - Place the Floor Shoe (F1) at the approximate location where the Hinge Door (D1) and Floor Panel (P1) should meet.
 - Set one end of the Floor Panel (P1) inside the Floor Shoe (F1) as shown in Figure (7-2)
 - Place the frame end of the Hinge Door (D1) flush against the already installed Floor Panel (P1) and set it inside the Floor Shoe (F1). Refer to Figure (7-3) for reference.
 - Secure together with provided Bolt (F11), Washer (F4) and Nut (F3) as shown in Figure (7-3).
- If attaching Hinge Door (D1) to a Wall
 - Place the Hinge Door (D1) flush with the wall as shown in Figure (2A-2).
 - Hook the Wall Kit Clamp (W1) around the side post and using the provided Plastic Anchor (F13) and Slotted Head Screw (F5) secure it to the wall. Refer to Figure (2A-2) for reference.
 - Repeat at three locations as shown in Figure (7-7)



Step 8: Slide Door Assembly.

Step 8A: Frame Attachment.

- Slide Door (D2) is shipped partly set up.
- If attaching Slide Door Frame (D2) to Line Post (LP) please consult your Layout Drawing for Post orientation.
 - Make sure that the post is facing Flat Side towards the Slide Door (D2) as shown in Figure (8A-2).
 - Secure together with provided Bolt (F11), Washer (F4) and Nut (F3) as shown in Figure (8A-1).
- If attaching Slide Door Frame (D2) to a previously installed Floor Panel (P1)
 - Place the Floor Shoe (F1) at the approximate location where the Slide Door (D2) and Floor Panel (P1) should meet.
 - Set one end of the Floor Panel (P1) inside the Floor Shoe (F1) as shown in Figure (8A-1).
 - Place the frame end of the Slide Door (D2) flush against the already installed Floor Panel (P1) and set it inside the Floor Shoe (F1).
 - Secure together with provided Bolt (F11), Washer (F4) and Nut (F3) as shown in Figure (8A-1).
- If attaching Slide Door (D2) to a Wall
 - Make sure that the Sliding Door (D2) is going to be sliding AWAY from the wall.
 - Place the Slide Door (D2) flush with the wall.
 - Hook the Wall Kit Clamp (W1) around the side post and using the provided Plastic Anchor (F13) and Slotted Head Screw (F5) secure it to the wall.
 - Repeat at three locations as shown in Figure (8A-3).

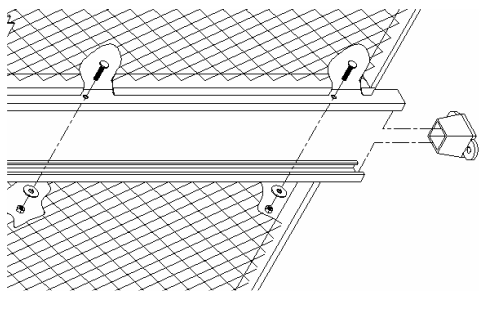


Fig. 8A-1

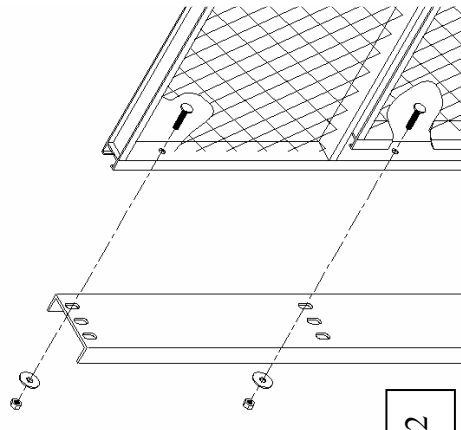


Fig. 8A-2

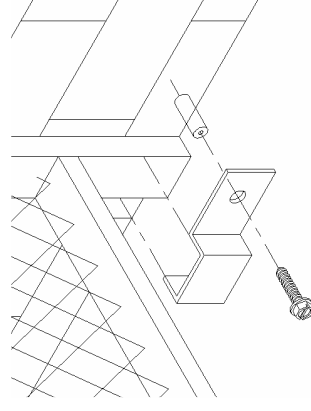


Fig. 8A-3

Step 8B: Slide Door Track (D5) Assembly.

- Attach the Slide Door Bracket (B1) to the already installed panels using the provided Slide Door Mounting Clip (B2) and Mesh Clip (M1) clamp it to the mesh via Bolt (F11), Washer (F4) and Nut (F3). See Figure (8B-1) for reference.
- Slide the Slide Door Bracket (B1) over the Sliding Channel (D5). See Figure (8B-2) for reference.
 - DO NOT TIGHTEN THE BOLTS ON THE SLIDE DOOR BRACKET (B1)

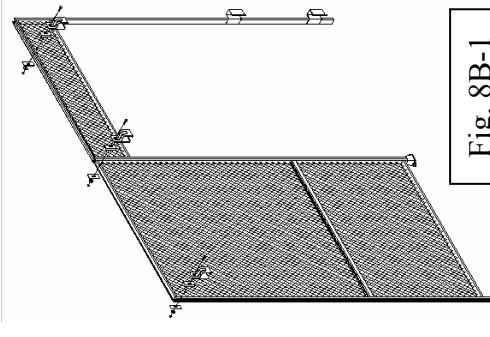


Fig. 8B-1

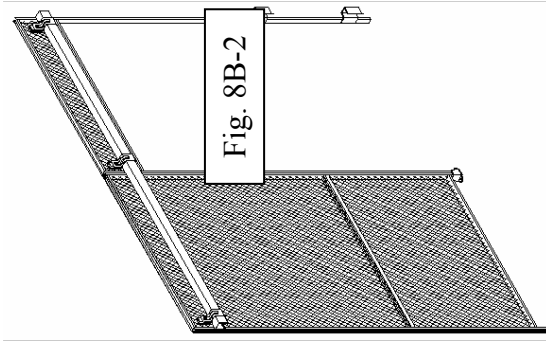


Fig. 8B-2

Step 8C: Slide Door (D2), (D3) and Trolley (T1) Assembly.

- Insert the Attach the Trolley assembly (T1) to the top of the door by inserting it into the existing holes at the top of the door. For reference use Figure (8C-1).

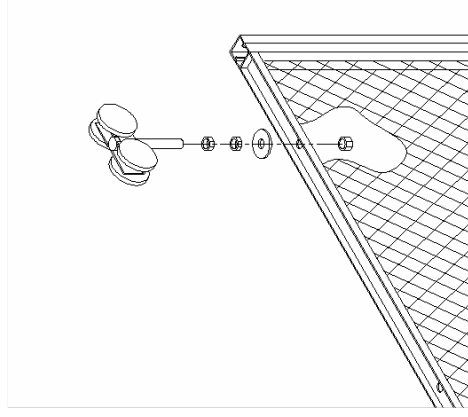


Fig. 8C-1

Step 8D: Slide Door (D2), (D3) and installed Slide Door Track (D5) Assembly.

- Slide the Assembled Door (D2), (D3) into the attached Slide Channel.
- Slide the Door into the closed position and adjust the Trolley Assembly so the Door (D2), (D3) closes completely.
- Tighten the Bolts on the Slide Door Bracket. See Figure (8D-1) for reference.

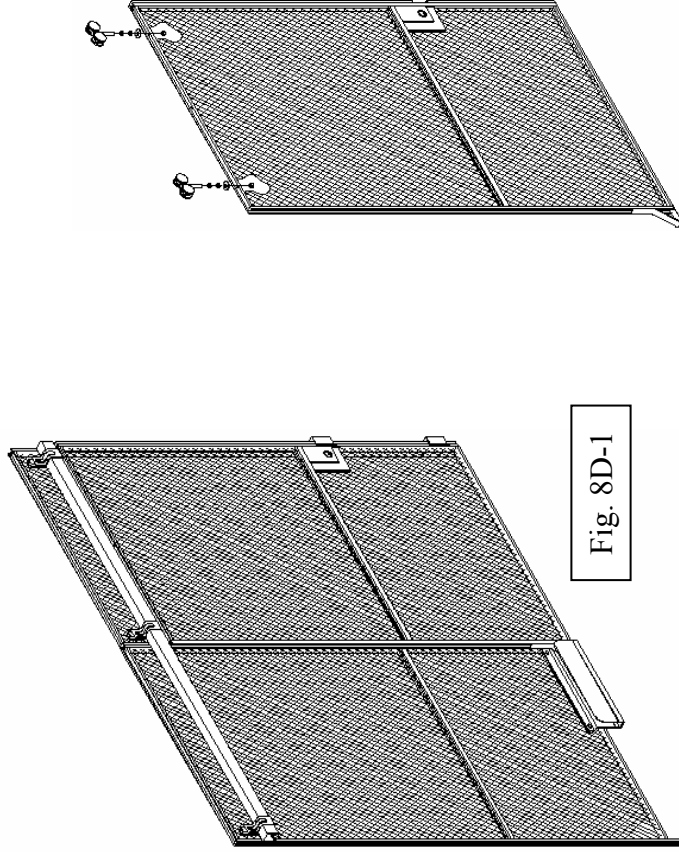


Fig. 8D-1

Step 8E: Bottom Guide (B6) Assembly.

- Assemble the two halves of the bottom guide (B3) by placing one half inside of the other as shown in Figure (8E-1). Secure the two halves together.
 - If you intend to attach the guide (B3) to the wire mesh panel (M1). Please go on the next point.
 - If you intend to secure the Guide (B3) to the floor, secure together via floor anchors as shown in Figure (8E-2)
 - If attaching the Bottom guide to the wire mesh assemble the two halves of the Bottom Guide (B6) and secure together with a Carriage Bolt (F2), Washer (F4) and a Nut (F3), as shown in Figure (8E3).

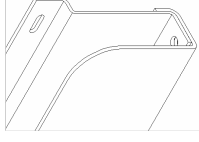


Fig. 8E-1

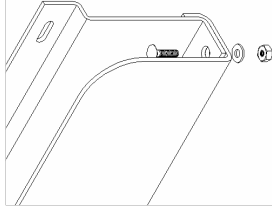


Fig. 8E-2

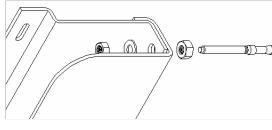


Fig. 8E-3

Step 8F: Bottom Guide Installation.

- If attaching to the floor – place the bottom guide in such a matter that when the door is closed the Door Guide (B8) is still inside the Bottom Guide Bracket (B3). Make sure that the door slides easily inside the floor bracket (B6) and there is no interference. Then attach to the floor via concrete anchors.
- If attaching to the wire mesh - place the bottom guide in such a matter that when the door is closed the Door Guide (B7) is still inside the Bottom Guide Bracket (B3). Make sure that the door slides easily inside the floor bracket (B6) and there is no interference. Then using the provided Bottom Guide Attachment (B5). Secure both via provided Carriage Bolt (F2), Washer (F4) and Nut (F3), as shown in Figure (8F-1), (8F-2).

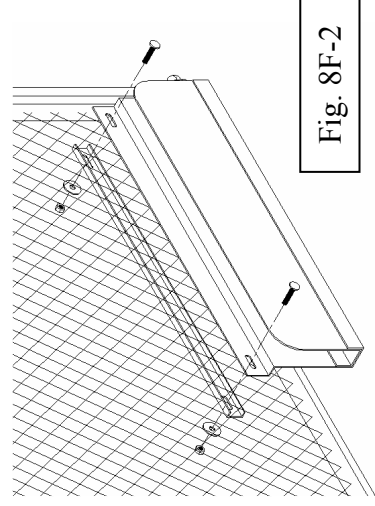


Fig. 8F-2

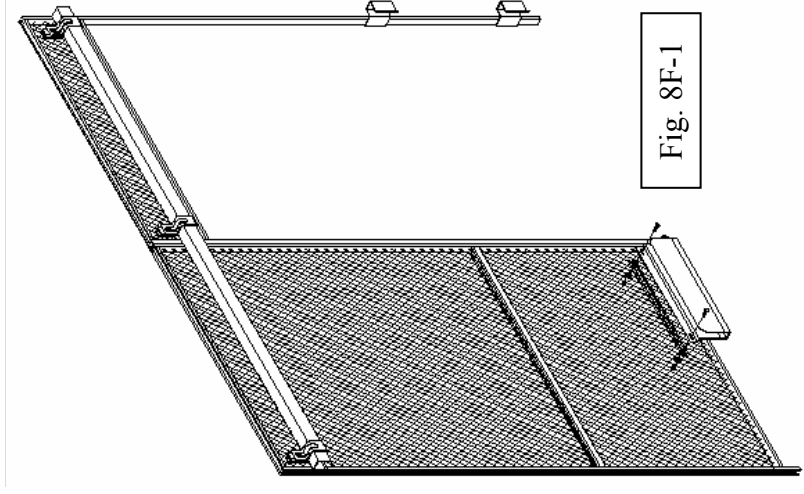


Fig. 8F-1

Step 9: Capping Channel (CC) Attachment.

- Place the Capping Channel (CC) on top of the Installed Panels. Secure to the Panel via provided Carriage Bolt (F2), Washer (F4) and Nut (F3). See Figure (9-1) and (9-2) for reference.

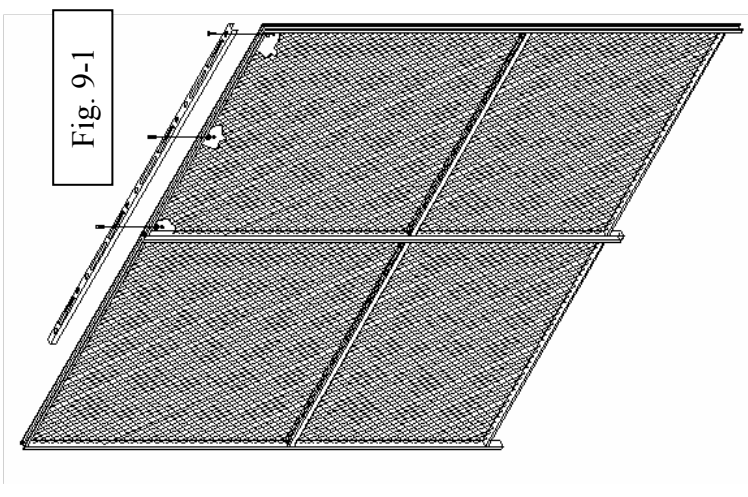


Fig. 9-1

Step 10: Ceiling Panel (P3) Attachment.

- Attach the Provided Ceiling Angle (C1) to the already installed Wov-N-Wire® Vertical Fencing Use provided. Carriage Bolt (F2), Washer (F4) and Nut (F3). See Figure (10-1) for reference.
- Attach the Ceiling Panel (P3) to the previously Installed Ceiling Angle (C1). Secure together with Carriage Bolt (F2), Washer (F4) and Nut (F3). See Figure (10-2) for reference.

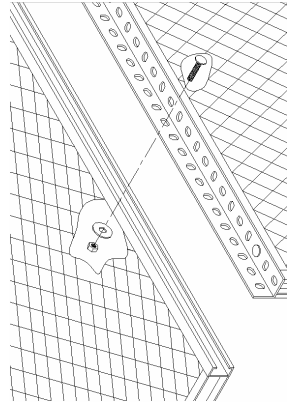


Fig. 10-1

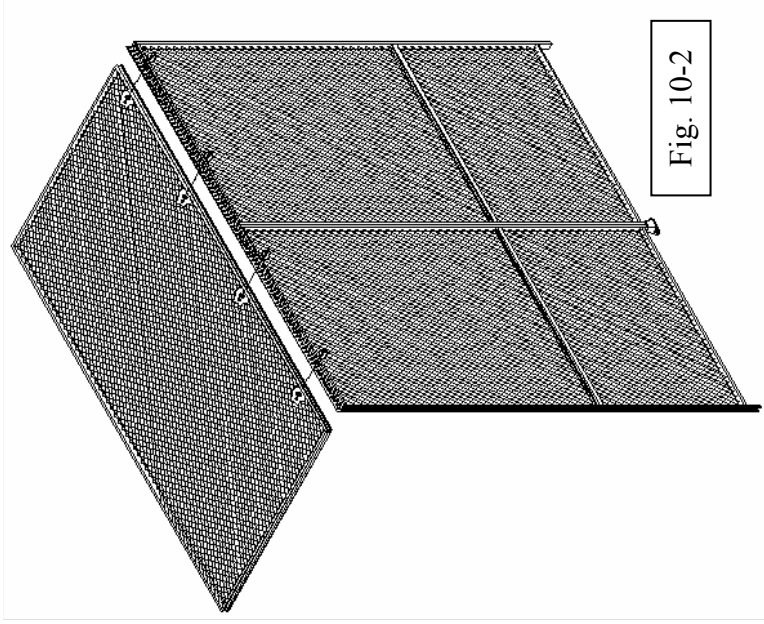


Fig. 10-2

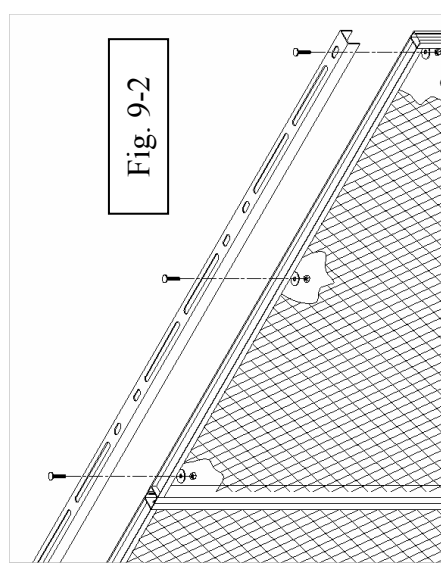


Fig. 9-2



Wov-N-Wire™ Installation Instructions

In our effort to provide you with a better experience using Folding Guard® current and future products we would like to hear from you. Please answer the following questions below. Fax the completed survey to our Main Office at: (708) 325 - 0450, or fold along the dotted lines on the back of this page (label should be on top); tape shut and mail it to us. We look forward to hearing from you and will address your comments and suggestions in a timely manner.

Order Number:

Installation Date: / /

How would you rate the quality of these instructions, please check all that apply:

- Confusing Too much information Not enough information
- Easy to Understand More Visual Material More Text Material

Other: _____

Were the instructions clear and concise, if no please write down what wasn't: _____

Did you run into any problems during the installation of the product, if yes please describe them: _____

Are you satisfied with our product? If not please let us know how we can improve it: _____

Comments: _____